

Specifications: Typical @ 25° C ±5° C

Image	NTSC (Color)
Image Sensor	1/3" Sony Superhad™ CCD
Resolution	380 TV lines
Minimum Illumination	0.5 lux
Signal to Noise Ratio	45 dB
AGC	Yes
Lens	3.6mm F2.0
Power	12 VDC
Power supply part #	219704
Power consumption	1.5 W

Warranty

Linear LLC warrants this product to be free from defects in material and workmanship for 5 years. The time period will be measured using the date code labeled on the product. Linear LLC is not responsible for damage to the product resulting from the buyer's improper handling, stocking or warehousing of the product. Any implied warranty arising from the sale of the product including implied warranties of merchantability and fitness for purpose are limited. Linear LLC shall not be responsible for any losses, damages or expenses, whether direct, consequential, or incidental arising from the use or the inability to use the product. Some states and countries do not allow limitations or how long an implied warranty lasts or the exclusion or limitation or incidental or consequential damages, so the above exclusions may not apply. The Linear LLC warranty gives specific legal rights in addition to other rights, which may exist and vary from state to state and country to country.

The warranty is limited to repair or replacement of products returned, freight prepaid, to Linear LLC, there is NO PROVISION FOR LABOR COST OR OTHER REIMBURSEMENTS OF ANY KIND.

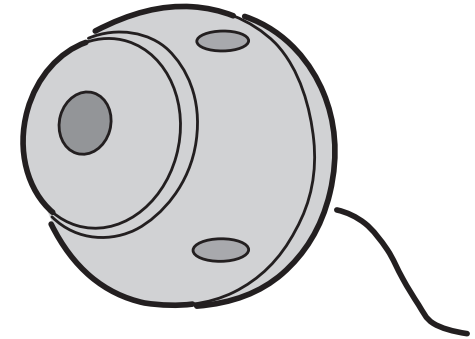
1. Failures due to product abuse, such as negligence, improper use, and electrical surge including damage from lightning, water damage or other damage due to natural disasters are not covered by the warranty. The most common form of product abuse is surge damage caused by lightning.
2. The warranty shall also be voided by any tampering with the date code, labels or other markings on the product.
3. Products that are damaged in transit to Linear LLC due to improper packaging or by the carrier (shipping company) will not be covered under the warranty. If the product was damaged or lost by the carrier, it is the sender's responsibility to create a claim against the carrier.
4. The user is responsible for all labor costs associated with removing, reinstalling and returning the product to Linear LLC.

Linear LLC, at its option, will repair or replace the defective product. Replacements will be made from B-Stock, if an exact replacement is not available, Linear LLC, at its option, will select the nearest equivalent product. The user is responsible for freight charges to Linear LLC. Linear LLC will return warranted repaired or replacements by UPS Ground or an equivalent service. A customer may pay the additional costs for second-day or next-day service.

All products returned for warranty service require a Return Product Authorization Number (RPA#). Contact Linear Technical Services at 1-800-999-5225 for an RPA# and other important details.



Model 7400 B&W HIGH PERFORMANCE VIDEO CAMERA



FEATURES

- **Low-Profile/Small Size**

Easy to Conceal

- **Surface-Mount**

Ideal for many different applications

- **Easy Installation**

Save valuable time!

Linear LLC

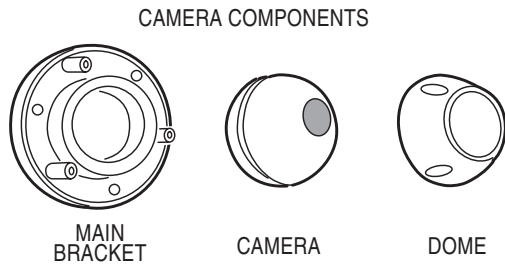
2055 Corte Del Nogal, Carlsbad, CA 92009, USA
760-438-7000 800-999-5225 fax: 760-931-1340

www.channelplus.com

© 2004 Linear LLC, Carlsbad, CA, USA

INTRODUCTION

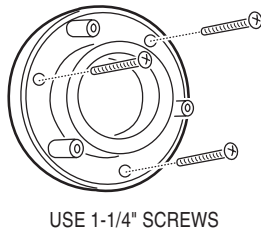
The 7400 camera is available in White or Black. The surface-mount unit allows for discrete, attractive CCTV camera installation.



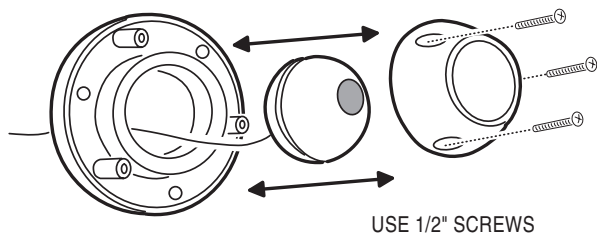
INSTALLATION

The surface-mount hardware included with the camera allows easy installation in almost any situation, including retro-fit applications. Provisions must be made for physical wire connections, but the camera assembly itself is simply screwed in place.

1. Drill a 3/4" diameter hole in mounting surface to accommodate wiring.
2. Mount the main bracket in the desired location using three 1-1/4" screws.



3. Feed the camera leads through hole in mounting surface. Connect wires (see WIRING).
4. Place assembled camera housing into main bracket.
5. Place dome over camera housing and attach to main bracket with three 1/2" screws. Do not tighten completely.



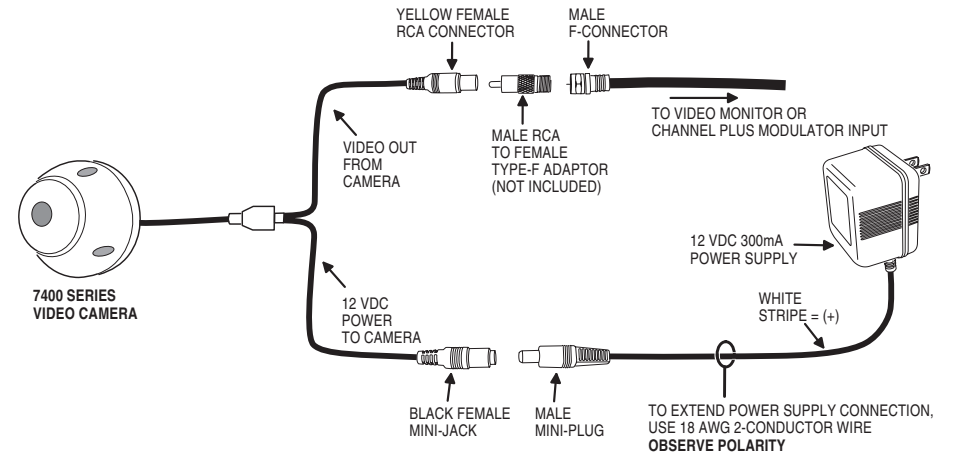
1

WIRING

The camera requires RG6 or RG59 coax cable to distribute the video signal to a monitor's or modulator's video input. Use the power supply provided for proper operation. No additional cable or wire is shipped with the 7400 Series cameras.

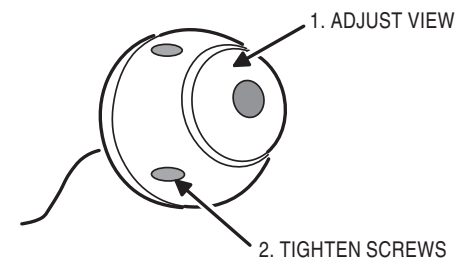
1. The camera supplies video through the yellow female RCA connector. If required, use an RCA-to-F adapter (not included) to connect RG6 or RG59 video cable to the camera's video connector.
2. The camera receives power from the power supply through a female mini-jack. Connect power to the camera using one of the following two options:
 - a. If the power supply can be located near the camera, connect the power supply's mini-plug directly to the camera's mini-jack.
 - b. If the power supply cannot be located near the camera, cut the power supply wire a few inches back from the power supply's mini-plug. Strip both ends of the wire and connect a length of 18 AWG 2-conductor wire between the mini-jack and the power supply's wire. Solder the connections and insulate with electrical tape or use wire nuts.

★ **IMPORTANT!** OBSERVE PROPER POLARITY when extending the power wire. Power supply wire polarity marking: White Stripe = (+)



ADJUSTMENT

1. After wiring, make provisions to view the camera image.
2. Adjust the camera to point it at the desired location. Make sure image is level!
3. With the camera properly aimed, tighten the screws.



2